

iP-8411/iP-8811/iP-8441/iP-8841

4/8-slot Serial/Ethernet PAC with 80186-80 CPU and MiniOS7

Features

- 80186, 80 MHz CPU
- MiniOS7 Embedded Operating System (DOS-like)
- 64-bit Hardware Serial Number for Software Protection
- C language Based Software Development Toolkit
- Dual Battery Backup SRAM (512KB)
- 4 Slots for I-8K and I-87K Modules
- Redundant Power Inputs
- Operating Temperature: -25 ~ +75 °C



Introduction

The iPAC-8000 is the compact size PAC(Programmable Automation Controller). It supports a variety of connectivity options including Dual 10/100 Base-TX Ethernet ports, one RS-232/485 port, one RS-485 port and two RS-232 ports, and 4/8 slots for high performance Parallel I/O modules (high profile I-8K series) and Serial I/O modules (high profile I-87K series), etc.

The MiniOS7 can boot up in a very short time (0.4~0.8 second).It has built-in hardware diagnostic function, and supports the full functions to access all 8K and 87K series I/O modules, such as DI, DO, DIO, AI, AO, Counter/Frequency, motion modules etc.

The iPAC-8000 is designed for industrial monitoring, measurement and controlling. It has redundant power inputs with 1 kV isolation from noise and surges, and a wide range of operating temperature (-25 ~ +75°C). It can work in the harsh and rough environment.

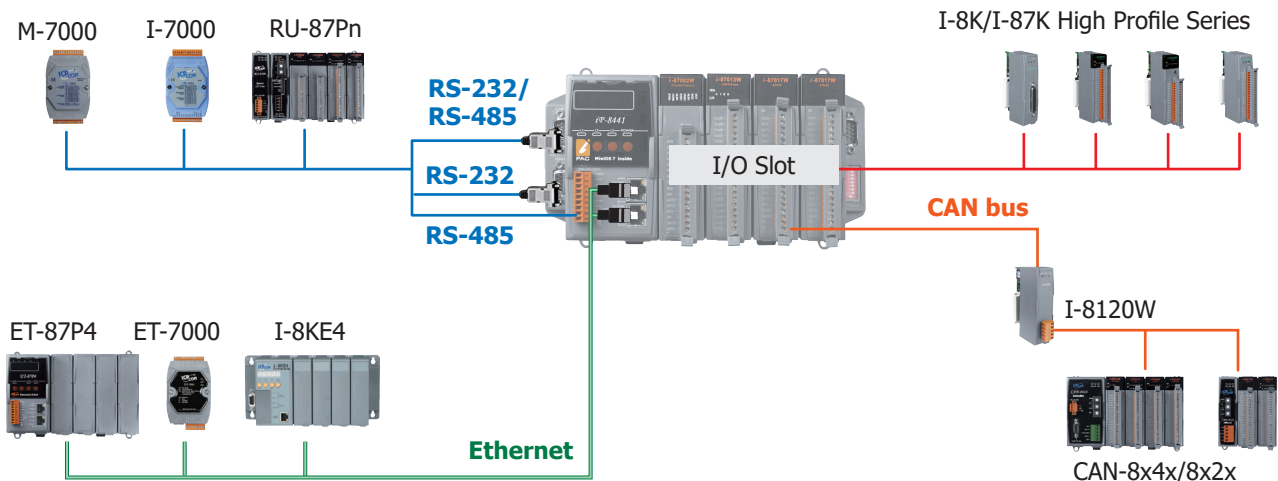
Powerful Embedded OS — MiniOS7



MiniOS7 is the most stable OS used in the last decade. Up to now, several hundred thousand copies with our PACs have been distributed worldwide.

- DOS-like embedded OS
- Antivirus ability
- Internet connectivity
- Libraries & demo programs for various peripherals, devices and remote I/O modules
- Short boot period (<1 Second)
- Less memory resource required
- Faster watchdog response time

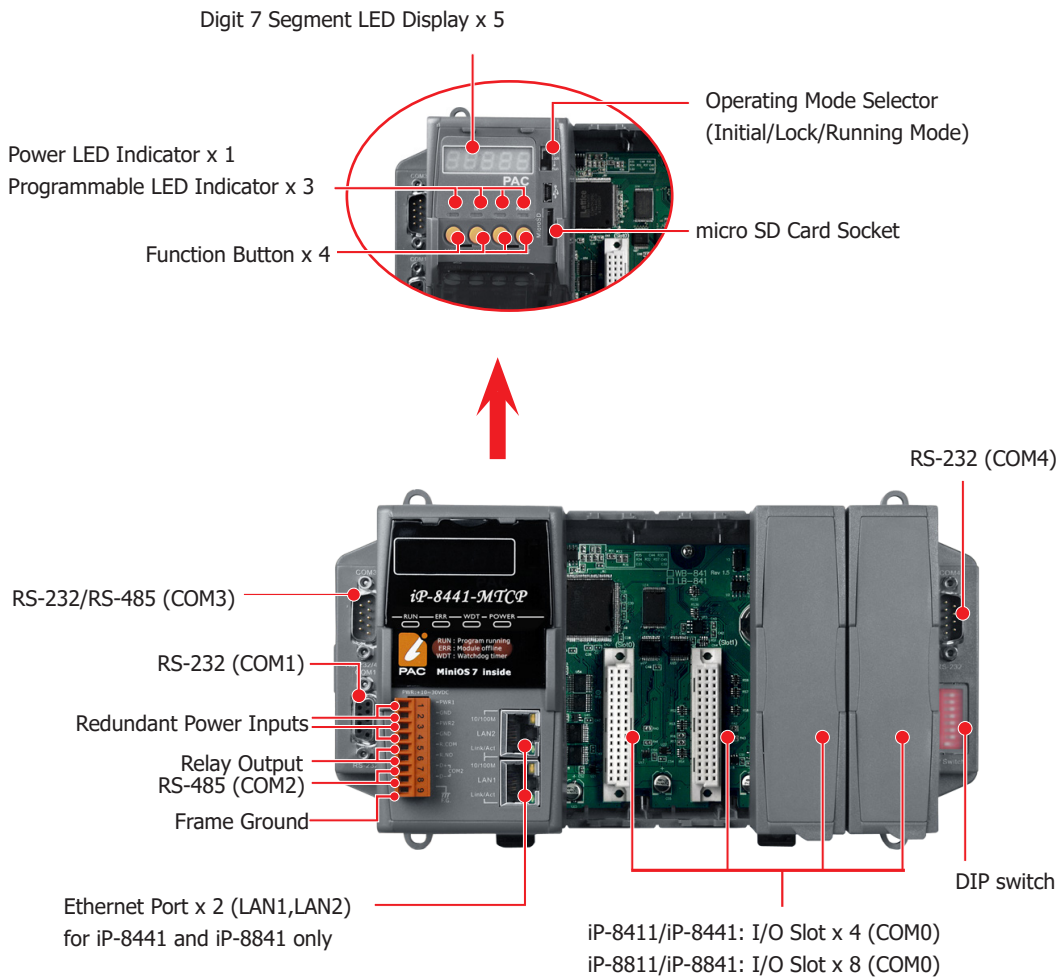
Applications



Specifications

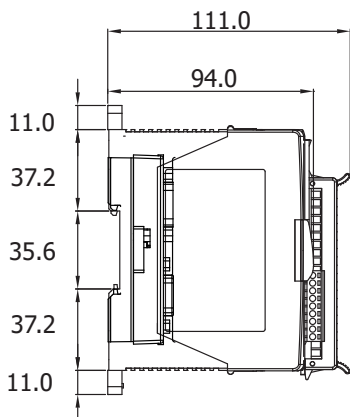
Models	iP-8411	iP-8811	iP-8441	iP-8841
Software				
OS	MiniOS7			
Development	C Language			
CPU Module				
CPU	80186 or compatible, 16-bit and 80 MHz			
SRAM	512 KB		768 KB	
Dual battery backup SRAM	512 KB			
Flash	512 KB			
EEPROM	16 KB			
NVRAM	31 Bytes			
Storage Expansion	4 GB microSD card (up to 32 GB)			
RTC (Real Time Clock)	Provide seconds, minutes, hours, dates, day of week, month, year			
64-bit Hardware Serial Number	Yes			
Watchdog Timer	Yes			
DIP Switch	8-bit for address			
Buzzer	-		Yes	
Communicate Interface				
Ethernet	-		2 x RJ-45, 10/100 Base-TX (Auto negotiating, Auto MDI/MDI-X, LED indicators)	
COM0	Internal communication with the high profile I-87K series modules in slots			
COM1	RS-232 (to update firmware) (Rx/D, Tx/D and GND); Non-isolated			
COM2	RS-485 (Data+, Data-) with internal self-tuner ASIC; 3000 VDC isolated			
COM3	RS-232/RS-485 (RS-232: Rx/D, Tx/D, CTS, RTS, GND, RS-485: Data+, Data-); Non-isolated			
COM4	RS-232RS-232 (Rx/D, Tx/D, CTS, RTS, DSR, DTR, CD, RI and GND); Non-isolated			
SMMI				
7-Segment Display	5			
LED Indicator	1 x Power, 3 x Programmable			
Push Button	4			
I/O Expansion				
I/O Type	I-8K, I-87K series			
Slots	4	8	4	8
Mechanical				
Dimension (W x L x H, unit: mm)	231 x 132 x 111	355 x 132 x 111	231 x 132 x 111	355 x 132 x 111
Installation	DIN-Rail, Wall mounting			
Environmental				
Operating Temperature	-25 ~ +75 °C			
Storage Temperature	-30 ~ +80 °C			
Humidity	10 ~ 90 % RH, Non-condensing			
Power				
Input Range	+10 ~ 30 VDC (1 kV Isolated)			
Redundant Power Inputs	Yes			
Power consumption	6.7 W	7.2 W	6.7 W	7.2 W

Appearance

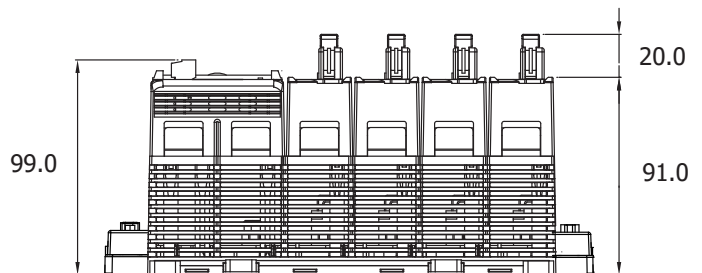


Dimensions (Units: mm)

iP-8411/iP-8811/iP-8441/iP-8841



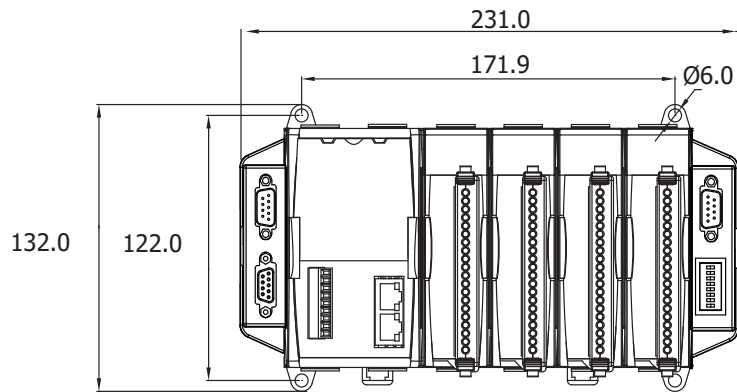
Left Side View



Bottom View

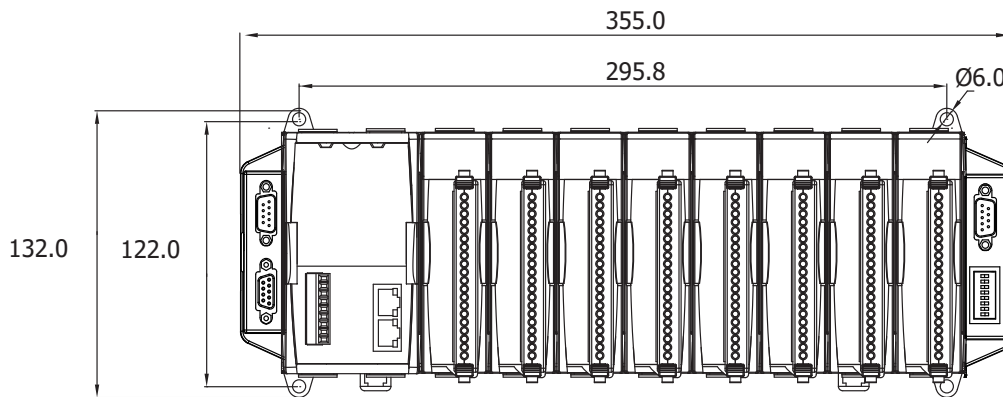
■ Dimensions (Units: mm)

iP-8411/iP-8441



Front View

iP-8811/iP-8841



Front View

■ Ordering Information

iP-8411 CR	4-slot Serial PAC with 80186-80 CPU and MiniOS7 (RoHS)
iP-8811 CR	8-slot Serial PAC with 80186-80 CPU and MiniOS7 (RoHS)
iP-8441 CR	4-slot Ethernet PAC with 80186-80 CPU and MiniOS7 (RoHS)
iP-8841 CR	8-slot Ethernet PAC with 80186-80 CPU and MiniOS7 (RoHS)